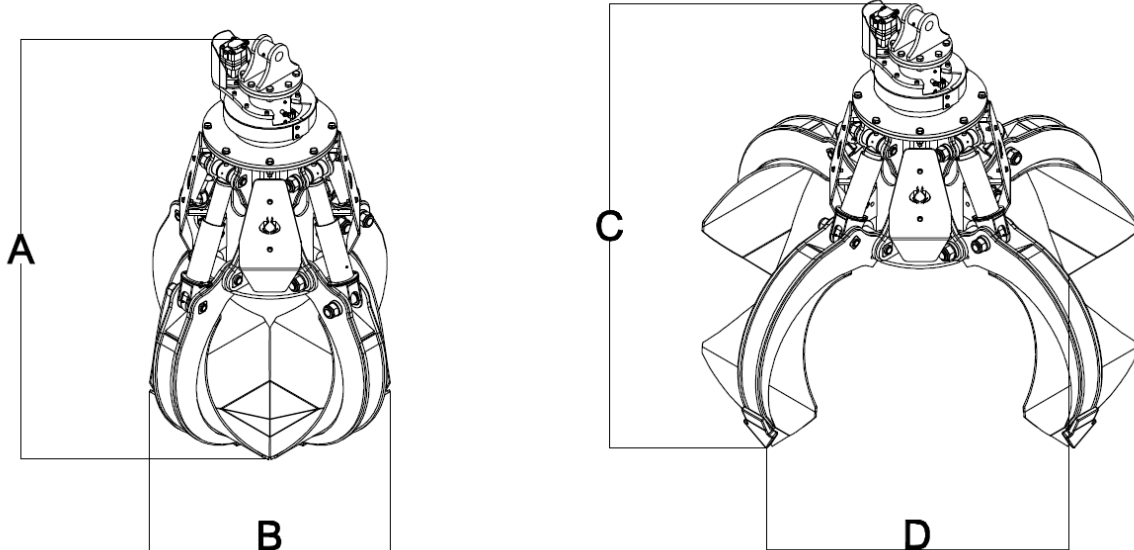


**MHA4-HD  
600**


| MODEL       | Weight<br>KG | Capacity<br>LT | Working<br>Pressure<br>Max Bar | A           | B           | C           | D           |
|-------------|--------------|----------------|--------------------------------|-------------|-------------|-------------|-------------|
| <b>MHA4</b> | <b>1425</b>  | <b>600</b>     | <b>320</b>                     | <b>2200</b> | <b>1400</b> | <b>1900</b> | <b>2000</b> |

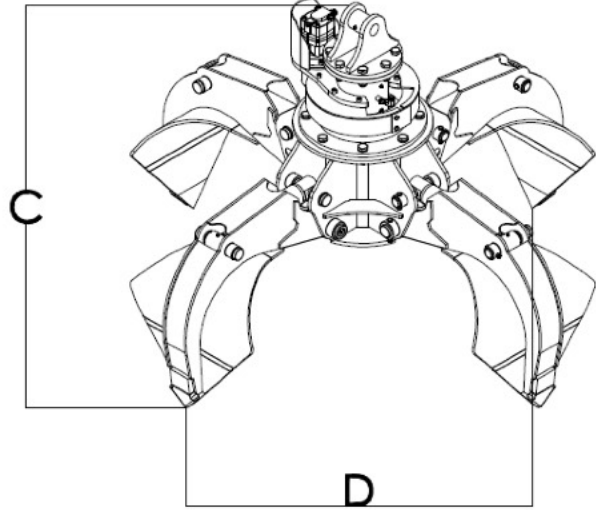
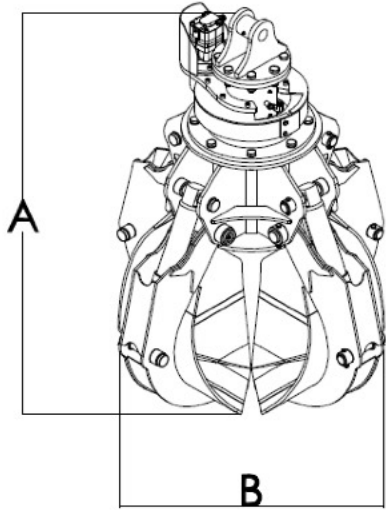
**Technical Data**

|                   |               |
|-------------------|---------------|
| Capacity          | 600 Lt        |
| Gross Weight      | 1425 Kg       |
| Working Principle | Hydraulic     |
| Working Pressure  | 320 Bar       |
| Rotating          | 130 Bar       |
| Rotation          | 360°          |
| Tines             | 4 Half Closed |
| Wearing Plates    | Hardox 450    |

407-948-7625

[MATERIALHANDLERSUSA.COM](http://MATERIALHANDLERSUSA.COM)

**MHB4  
500**



| MODEL       | Weight<br>KG | Capacity<br>LT | Working<br>Pressure<br>Max Bar | A           | B           | C           | D           |
|-------------|--------------|----------------|--------------------------------|-------------|-------------|-------------|-------------|
| <b>MHB4</b> | <b>850</b>   | <b>500</b>     | <b>320</b>                     | <b>1660</b> | <b>1350</b> | <b>1300</b> | <b>1850</b> |

**Technical Data**

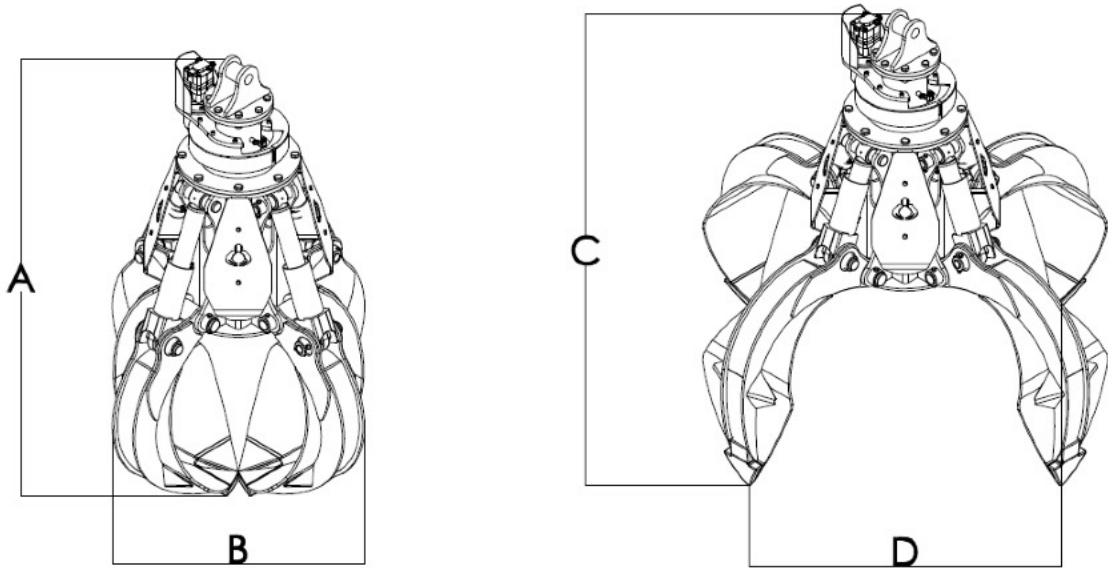
|                   |               |
|-------------------|---------------|
| Capacity          | 500 Lt        |
| Gross Weight      | 850 Kg        |
| Working Principle | Hydraulic     |
| Working Pressure  | 320 Bar       |
| Rotating          | 130 Bar       |
| Rotation          | 360°          |
| Tines             | 4 Half Closed |
| Wearing Plates    | Hardox 450    |

**Technical Data**

407-948-7625

[MATERIALHANDLERSUSA.COM](http://MATERIALHANDLERSUSA.COM)

**MH G4  
600**

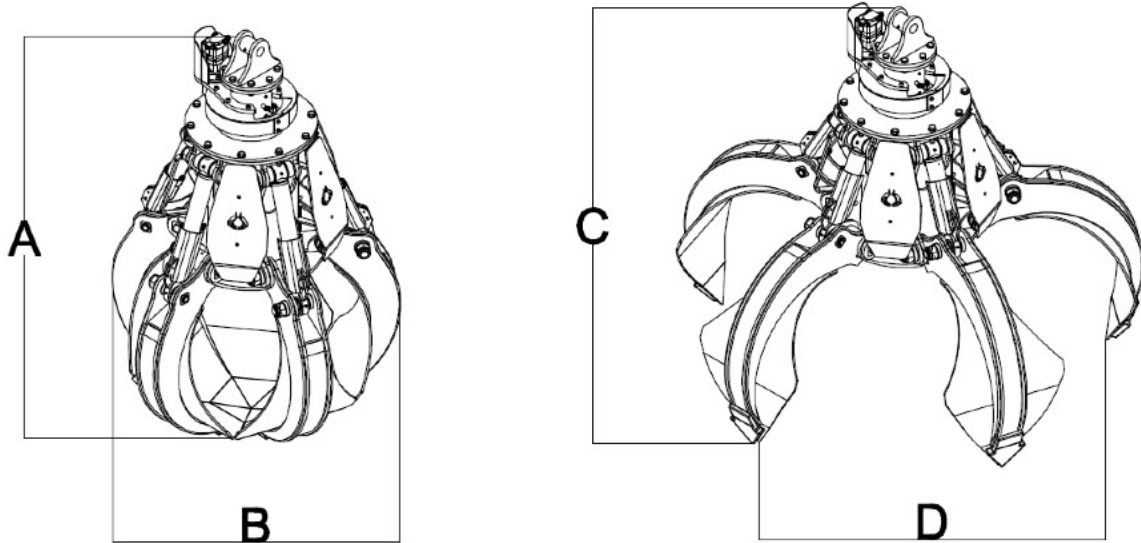


| MODEL       | Weight<br>KG | Capacity<br>LT | Pressure<br>Max Bar | A           | B           | C           | D           |
|-------------|--------------|----------------|---------------------|-------------|-------------|-------------|-------------|
| <b>MHG4</b> | <b>1150</b>  | <b>600</b>     | <b>320</b>          | <b>2200</b> | <b>1400</b> | <b>1900</b> | <b>2000</b> |

**Technical Data**

|                   |               |
|-------------------|---------------|
| Capacity          | 600 Lt        |
| Gross Weight      | 1150 Kg       |
| Working Principle | Hydraulic     |
| Working Pressure  | 320 Bar       |
| Rotating          | 130 Bar       |
| Rotation          | 360°          |
| Tines             | 4 Half Closed |
| Wearing Plates    | Hardox 450    |

**MH A5HD  
600**



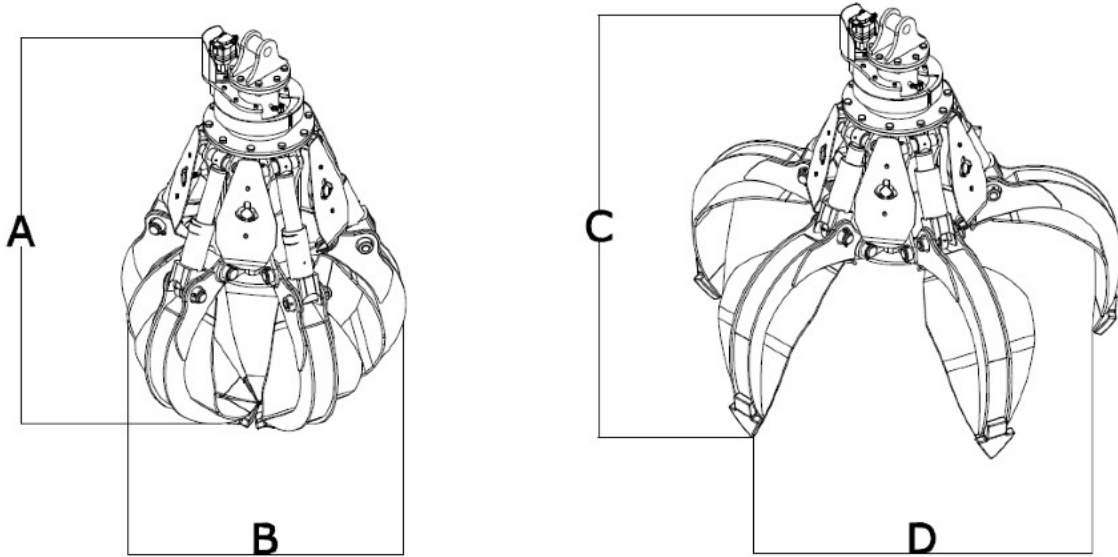
| MODEL       | Weight<br>KG | Capacity<br>LT | Pressure<br>Max Bar | A           | B           | C           | D           |
|-------------|--------------|----------------|---------------------|-------------|-------------|-------------|-------------|
| <b>MHA5</b> | <b>1635</b>  | <b>600</b>     | <b>320</b>          | <b>2200</b> | <b>1400</b> | <b>1900</b> | <b>2000</b> |

**Technical Data**

|                   |               |
|-------------------|---------------|
| Capacity          | 600 Lt        |
| Gross Weight      | 1635 Kg       |
| Working Principle | Hydraulic     |
| Working Pressure  | 320 Bar       |
| Rotating          | 130 Bar       |
| Rotation          | 360°          |
| Tines             | 5 Half Closed |
| Wearing Plates    | Hardox 450    |

407-948-7625

[MATERIALHANDLERSUSA.COM](http://MATERIALHANDLERSUSA.COM)

**MH G5  
600**


| MODEL       | Weight<br>KG | Capacity<br>LT | Pressure<br>Max Bar | A           | B           | C           | D           |
|-------------|--------------|----------------|---------------------|-------------|-------------|-------------|-------------|
| <b>MHG5</b> | <b>1400</b>  | <b>600</b>     | <b>320</b>          | <b>2200</b> | <b>1400</b> | <b>1900</b> | <b>2000</b> |

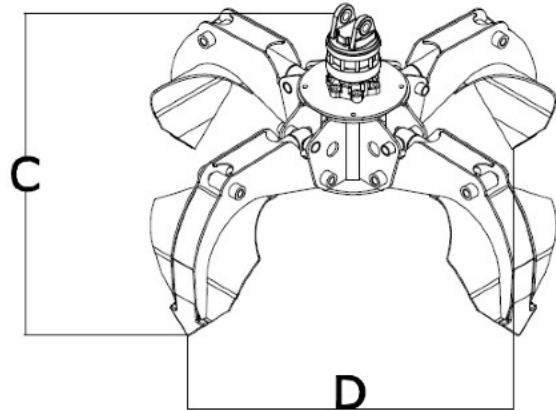
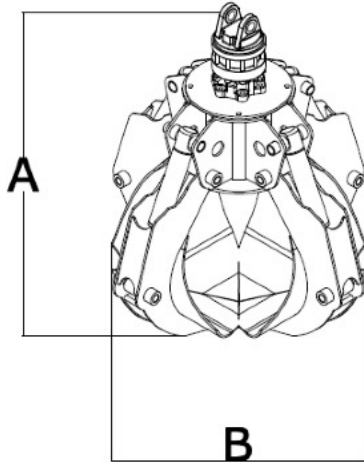
### Technical Data

|                   |               |
|-------------------|---------------|
| Capacity          | 600 Lt        |
| Gross Weight      | 1400 Kg       |
| Working Principle | Hydraulic     |
| Working Pressure  | 320 Bar       |
| Rotating          | 130 Bar       |
| Rotation          | 360°          |
| Tines             | 5 Half Closed |
| Wearing Plates    | Hardox 450    |

407-948-7625

[MATERIALHANDLERSUSA.COM](http://MATERIALHANDLERSUSA.COM)

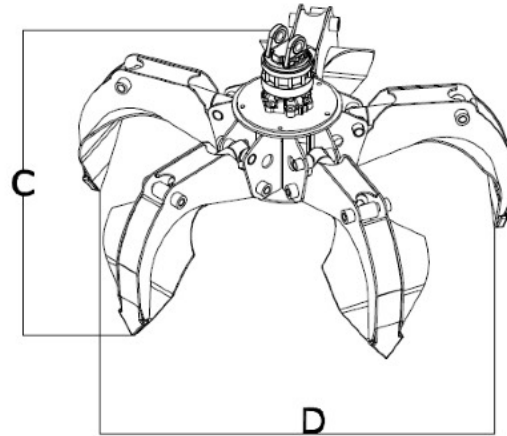
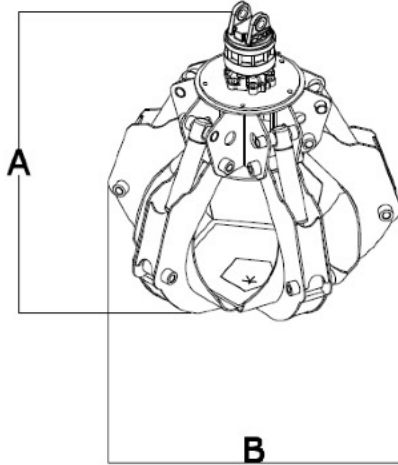
**MH M4  
300**



| MODEL       | Weight<br>KG | Capacity<br>LT | Pressure Max<br>Bar | A           | B           | C          | D           |
|-------------|--------------|----------------|---------------------|-------------|-------------|------------|-------------|
| <b>MHM4</b> | <b>420</b>   | <b>300</b>     | <b>220</b>          | <b>1260</b> | <b>1060</b> | <b>930</b> | <b>1650</b> |

### Technical Data

|                   |            |
|-------------------|------------|
| Capacity          | 300 Lt     |
| Gross Weight      | 420 Kg     |
| Working Principle | Hydraulic  |
| Working Pressure  | 220 Bar    |
| Rotating Pressure | 130 Bar    |
| Rotation          | 360°       |
| Tines             | 4          |
| Wearing Plates    | Hardox 450 |

**MH M5HD  
300**


| MODEL       | Weight<br>KG | Capacity<br>LT | Pressure<br>Max Bar | A           | B           | C           | D           |
|-------------|--------------|----------------|---------------------|-------------|-------------|-------------|-------------|
| <b>MHM5</b> | <b>450</b>   | <b>300</b>     | <b>220</b>          | <b>1300</b> | <b>1150</b> | <b>1000</b> | <b>1650</b> |

### Technical Data

|                   |            |
|-------------------|------------|
| Capacity          | 300 Lt     |
| Gross Weight      | 450 Kg     |
| Working Principle | Hydraulic  |
| Working Pressure  | 220 Bar    |
| Rotating          | 180 Bar    |
| Rotation          | 360°       |
| Tines             | 5          |
| Wearing Plates    | Hardox 450 |

407-948-7625

[MATERIALHANDLERSUSA.COM](http://MATERIALHANDLERSUSA.COM)